



# Trailer Tongue Tool Boxes

Designed to mount to the front of A-Frame style trailers

## Steel Box

- 14-gauge steel box 12-gauge steel door
- Powder coated black
- Stainless steel continuous hinge
- Stainless steel locking paddle latch

*Steel*



## Aluminum Box

- .056" Thick diamond tread aluminum
- Stainless steel locking paddle latch
- Aluminum continuous hinge

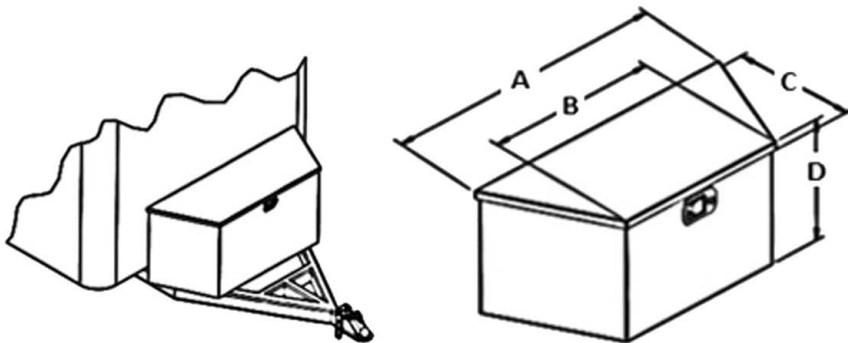
*Aluminum*



## Poly Box

- High-density polyethylene
- Stainless steel hasp & hinge

*Poly*



Description	Width A	Width B	Depth C	Height D	WTS P/N
Steel Powder Coated	34"	22.5"	14.5"	15"	B1701280
Steel Powder Coated	26"	14"	13.25"	12"	B1701281
Steel Powder Coated	49"	37"	15"	18.5"	B1701285
Aluminum Diamond Tread	34"	20.7"	14.5"	15"	B1701380
Aluminum Diamond Tread	49"	37"	15"	18.5"	B1701385
Polyethylene, Black	36"	18"	19"	18"	B1701680